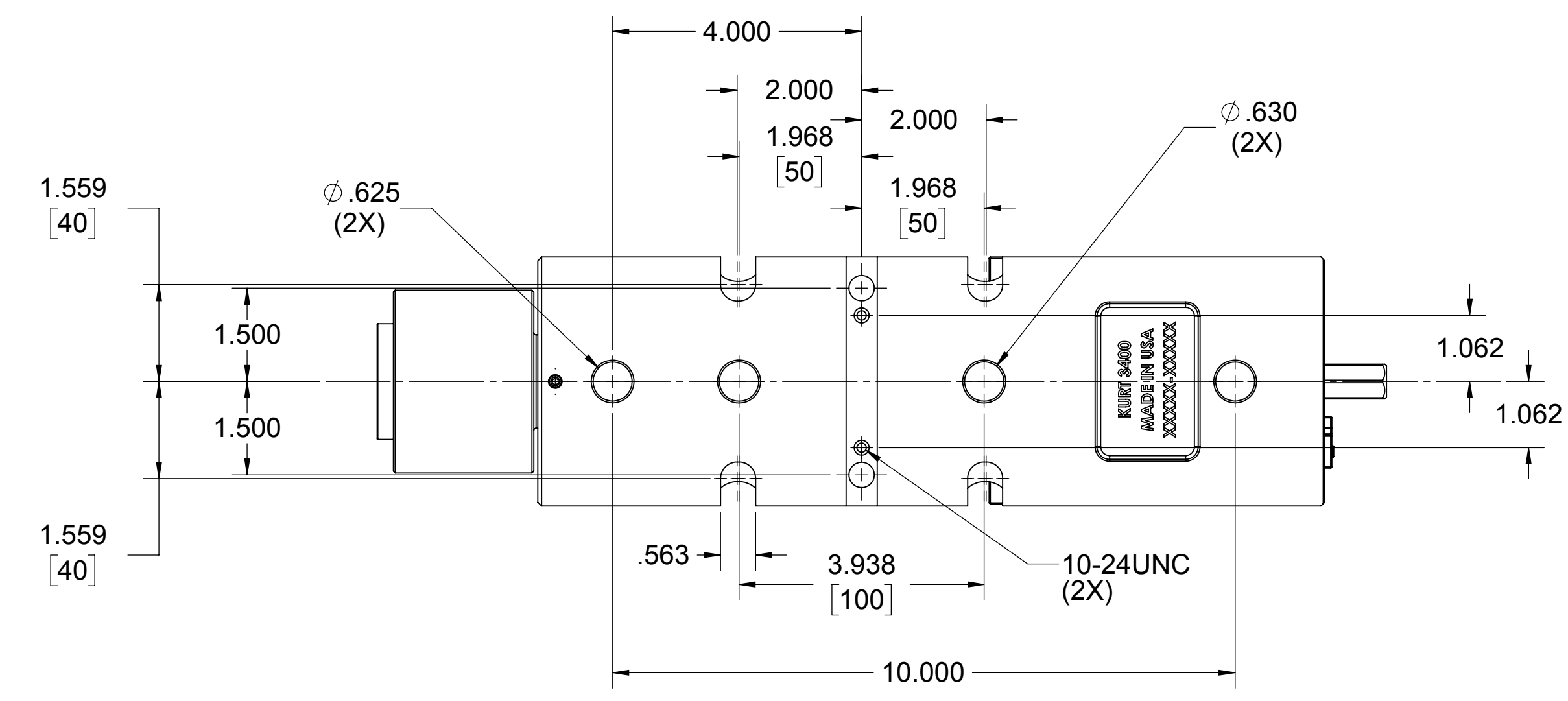
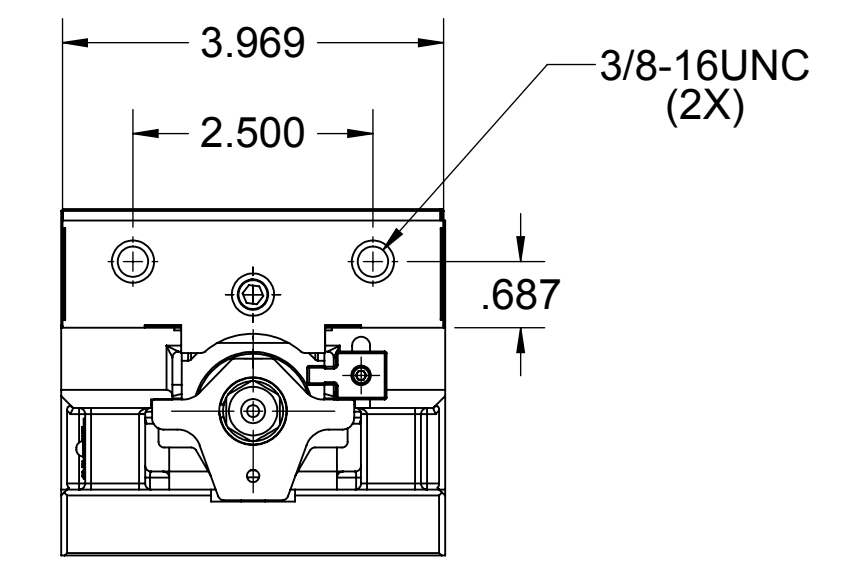
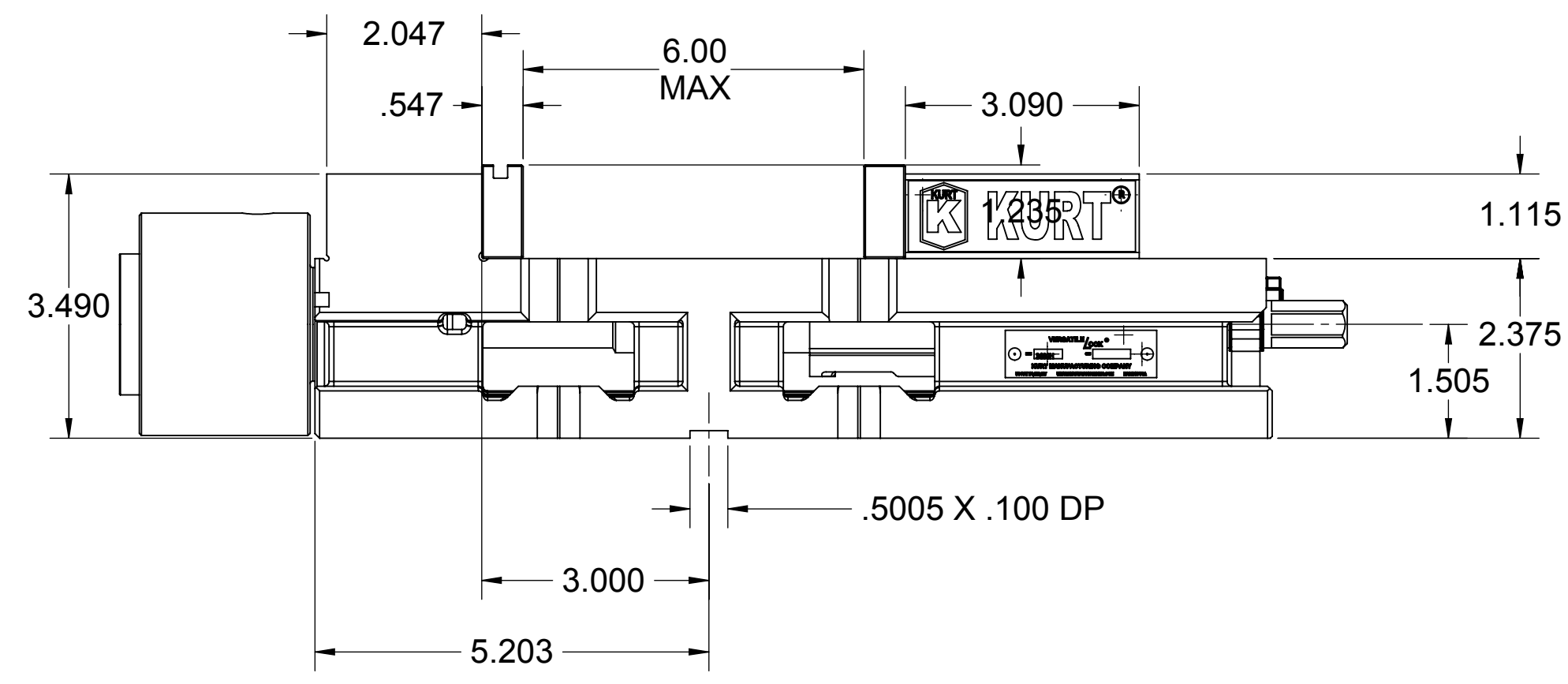
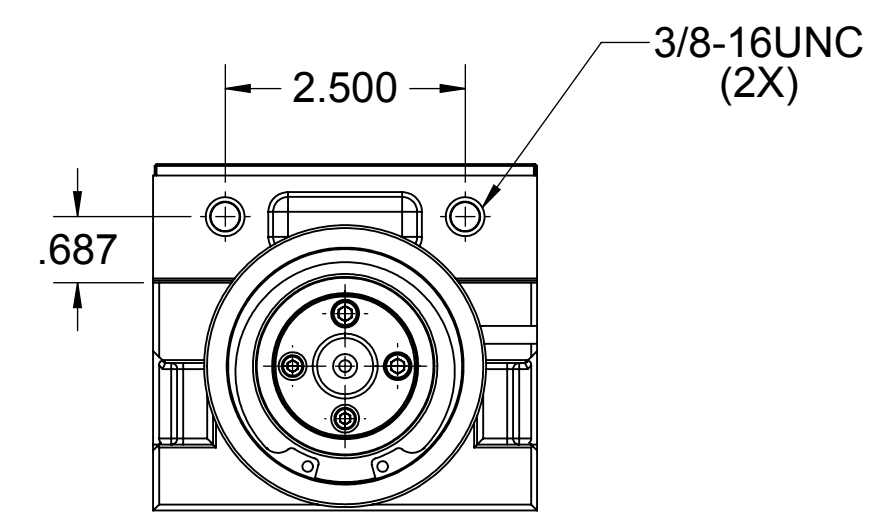
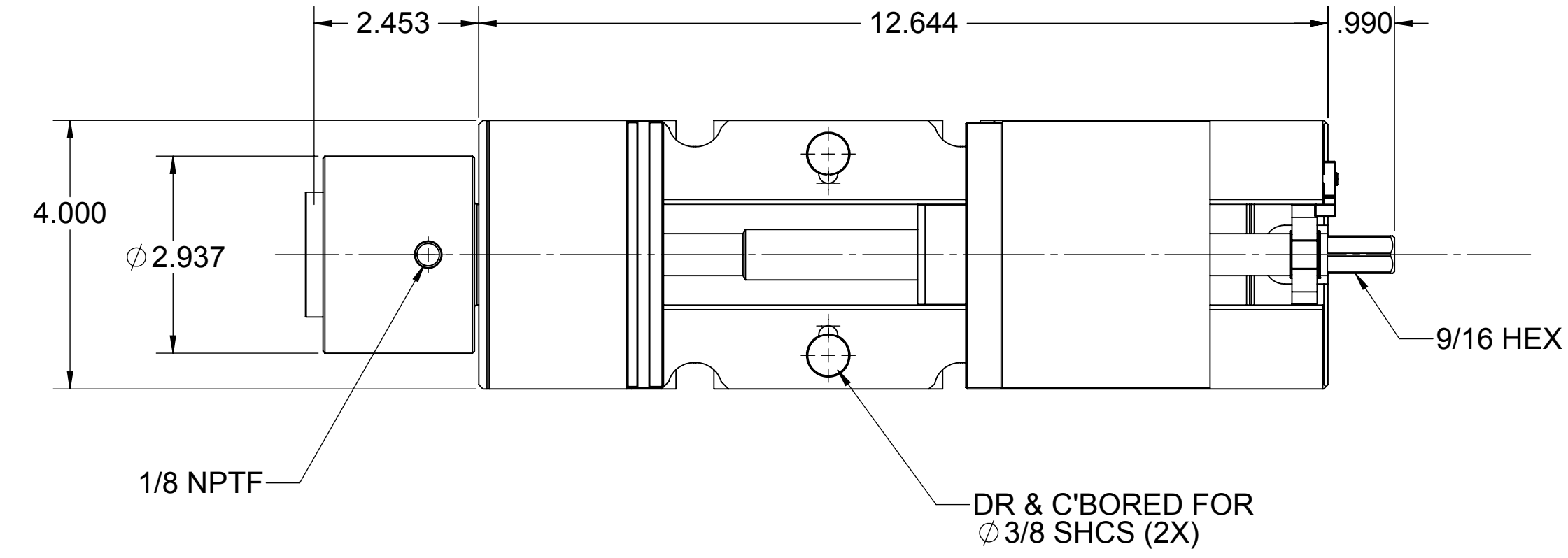


REV	ECO	DESCRIPTION	DATE	BY
A	V3851	RELEASED	2-2-12	DJS
B	V3911	SEE ECO	3/14/13	KLE



D:\Product Drawings-CAD\Vises\3400-Series Vises\3400H

	<b>WD-</b> <small>TOLERANCES UNLESS NOTED INCHES          DECIMAL .XX ± .02 ANGLES ± 1°</small>	TOOL NAME <b>4" HYD. VERSALOCK VISE</b>	MODEL OF TOOL D20965
	TITLE <b>3400H ASSEMBLY</b>	REVISION LEVEL <b>A</b>	CUSTOMER <b>3400H</b>
DESIGNED <b>D. SZUMOWSKI</b>	DATE <b>11-15-11</b>	DESCRIPTION OR MATERIAL	SHEET 2 OF 4
DETAILED <b>D. SZUMOWSKI</b>	DATE <b>2-1-12</b>		
CHECKED 			
APPROVED 			