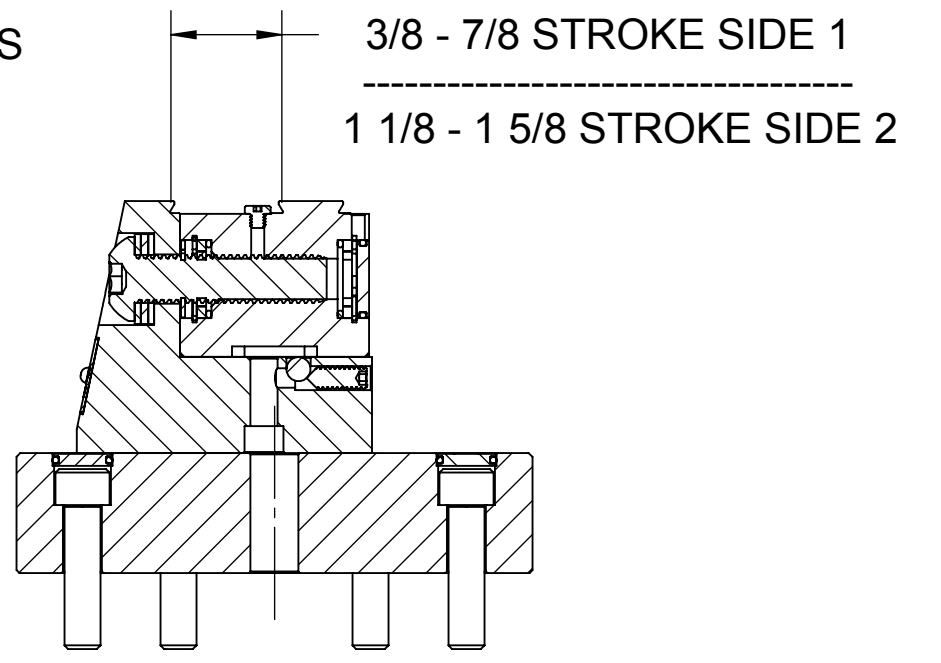
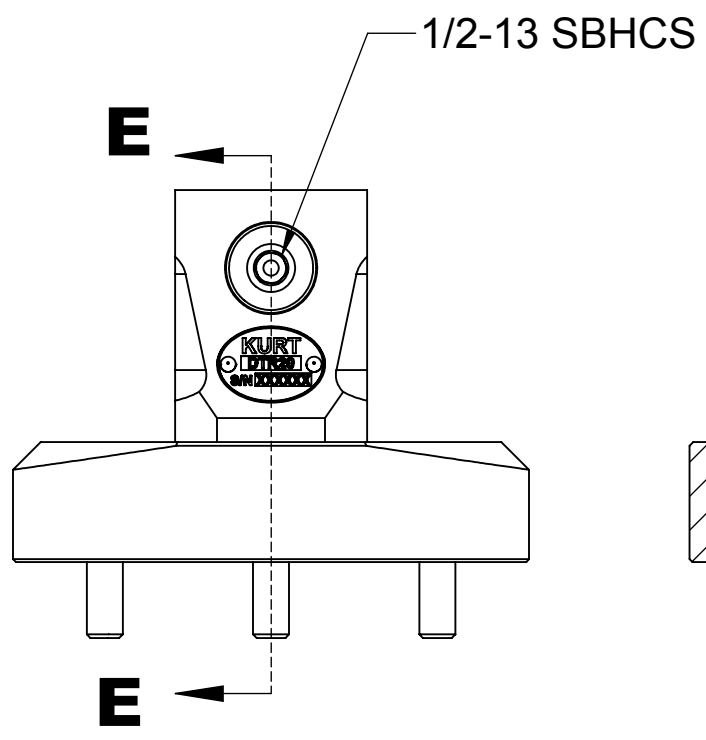
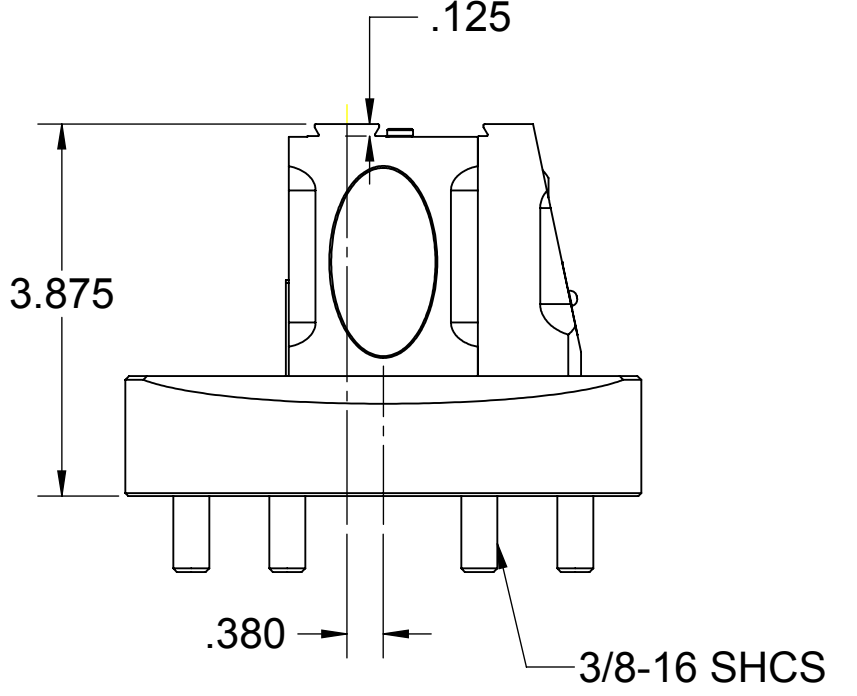
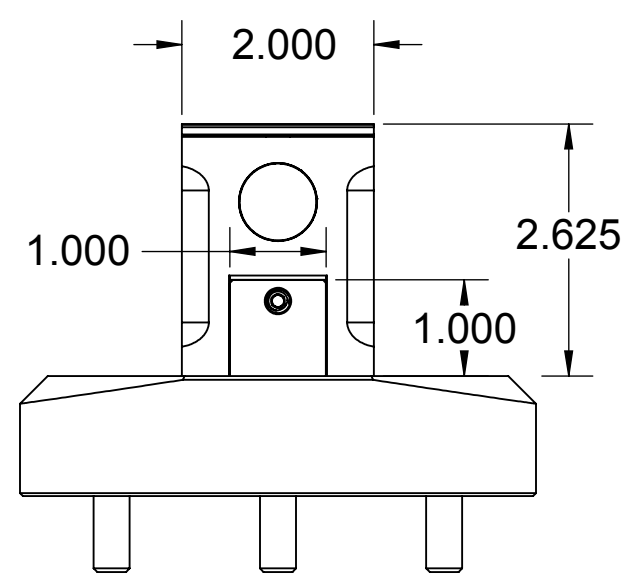
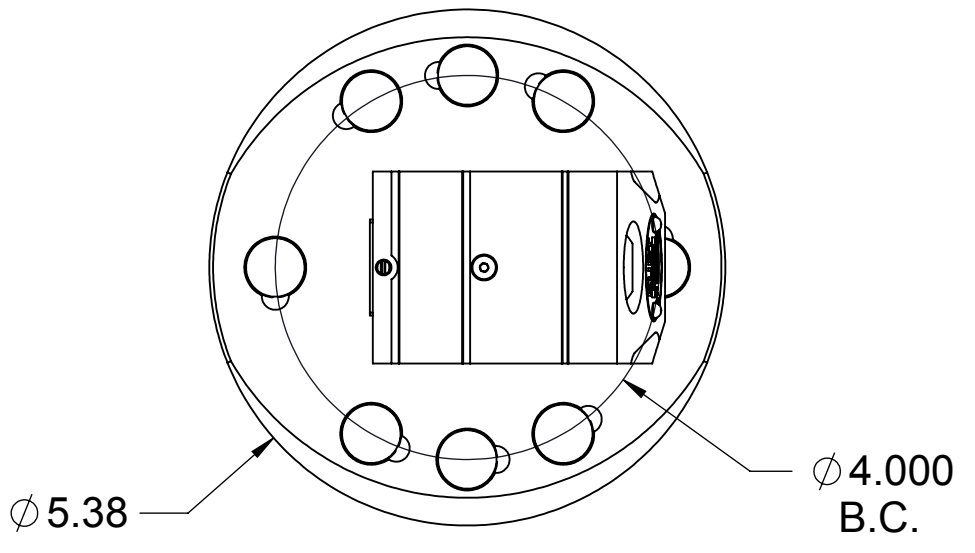
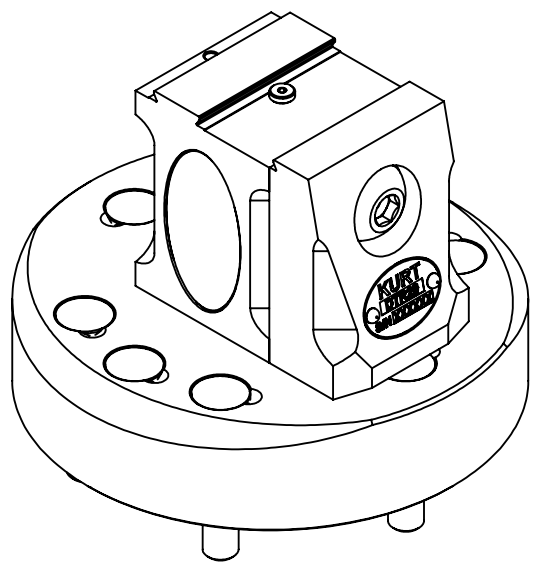
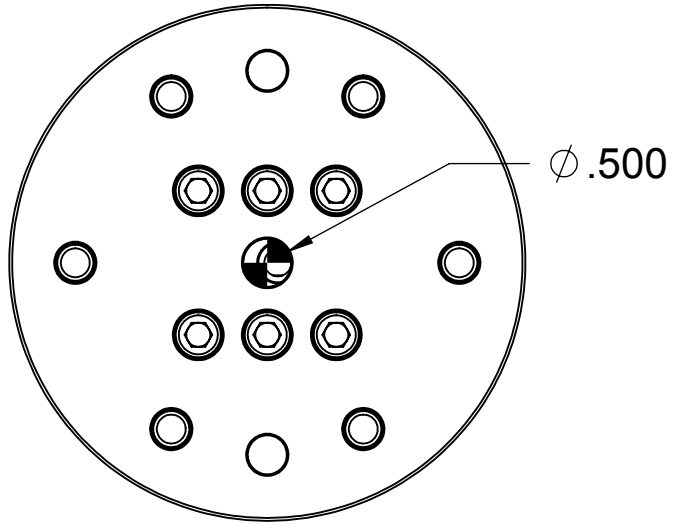


REV	ECO	DESCRIPTION	DATE	BY
A	V4013	RELEASED	1-20-15	DLS



SECTION E-E  
SCALE 1 : 2



**CLAMP FORCE:**

- 80 I.P. = 1000 CLAMP FORCE
- 160 I.P. = 2000 CLAMP FORCE
- 240 I.P. = 3000 CLAMP FORCE
- 320 I.P. = 4000 CLAMP FORCE

Q:\Product Drawings-CAD\1Vise\Dovetail Vise\DTR20 6-17-15\

	<b>WQ-</b> TOLERANCES UNLESS NOTED INCHES DECIMAL .X ± .05 .XXX ± .0005 .XX ± .02 ANGLES ± 1° .XXX ± .005		TOOL NAME DOVETAIL REVERSABLE 2.00 MODEL OF TOOL -
	DESIGNED D. SCHMIDT 1-20-15 DETAILED D. SCHMIDT 1-20-15 CHECKED APPROVED		TITLE <b>DTR20 DOVETAIL VISE CATALOG DWG</b> DWG. SIZE B KURT DWGNO. B21246 REVISION LEVEL A CUSTOMER DTR20 CUSTOMER PART NO. DTR20 TOOL NO. - SCALE 1:1 SHEET 1 OF 1
	DESCRIPTION OR MATERIAL SEE DRAWING		DESCRIPTION OR MATERIAL SEE DRAWING
	DESCRIPTION OR MATERIAL SEE DRAWING		DESCRIPTION OR MATERIAL SEE DRAWING