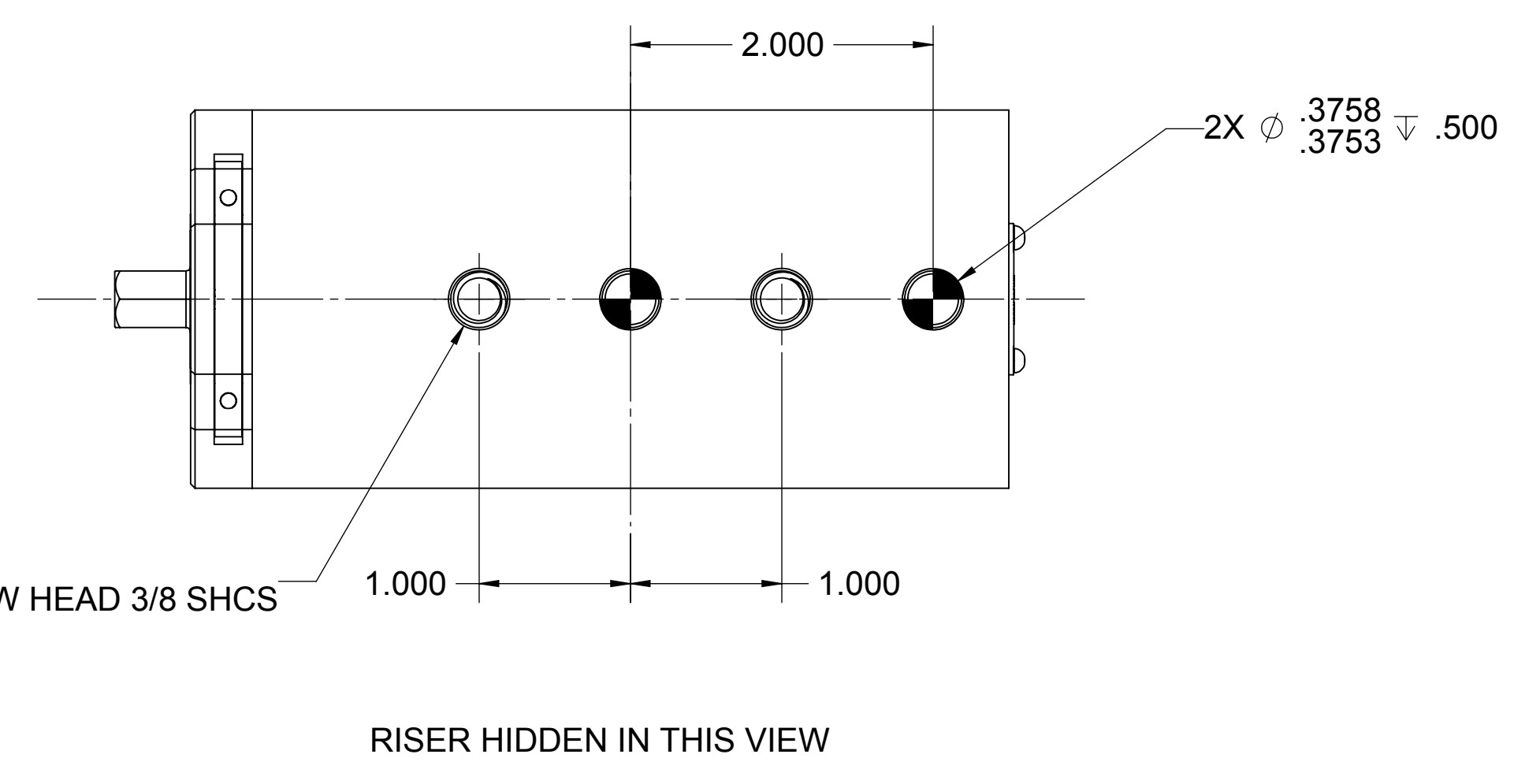
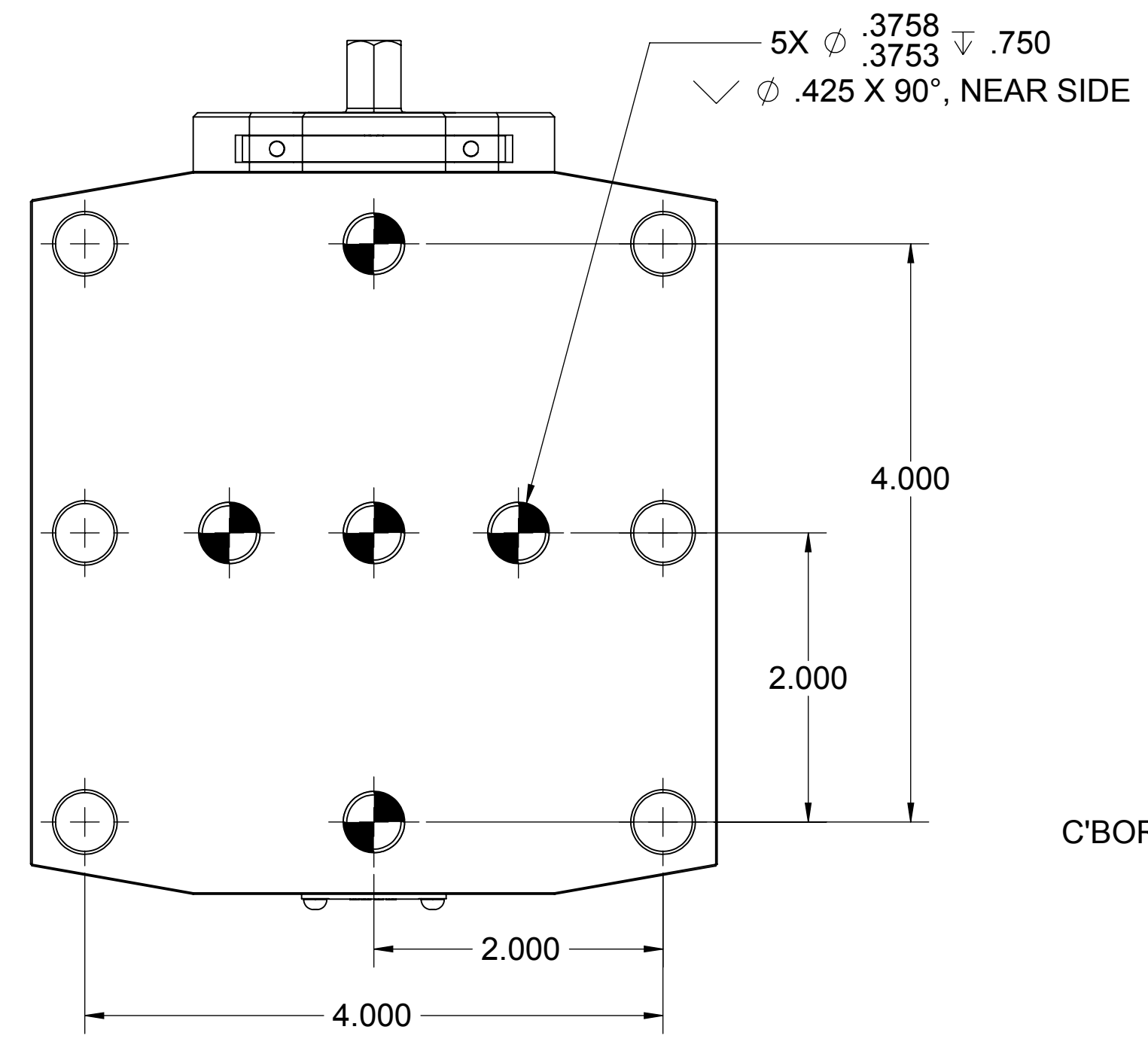
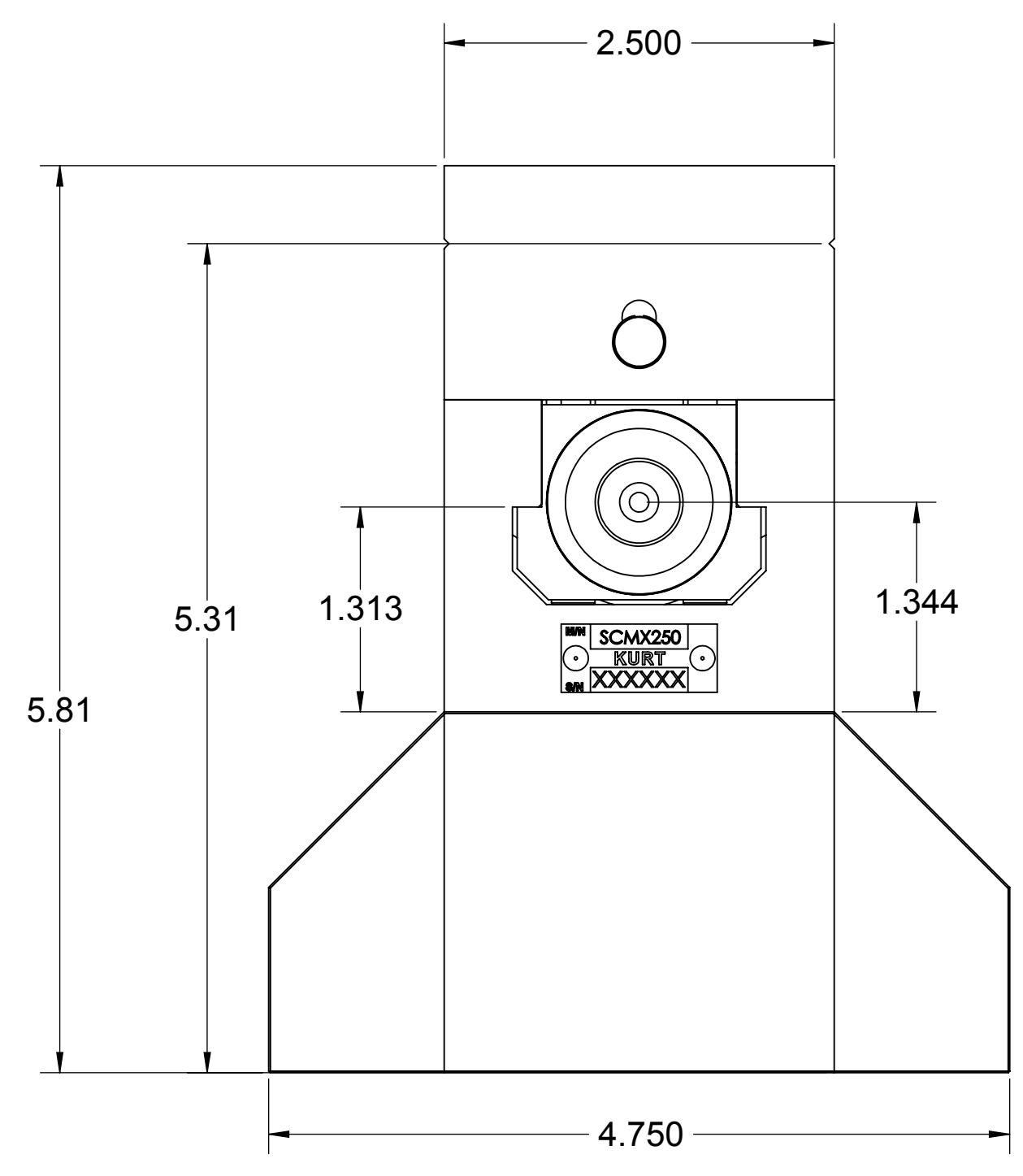
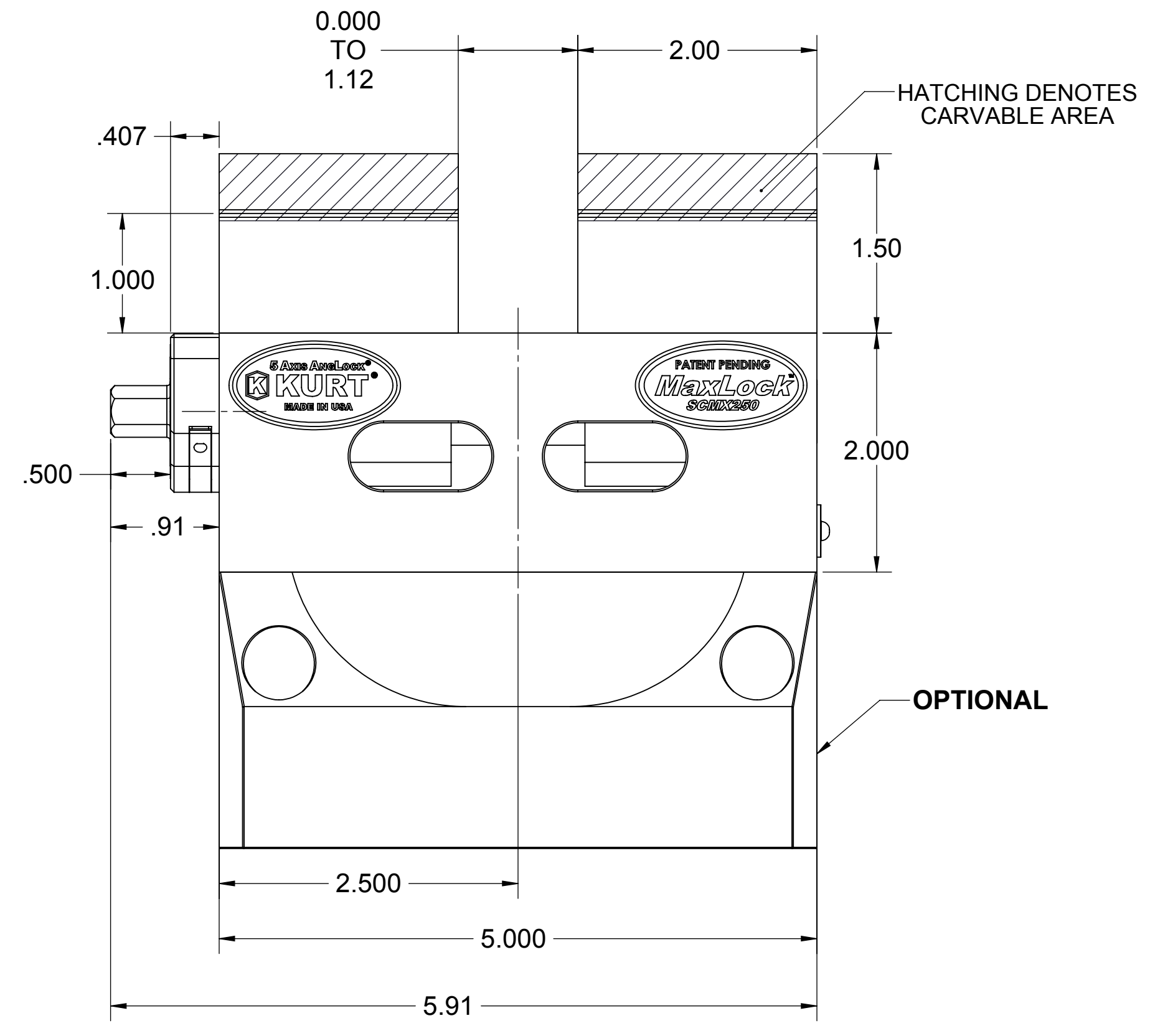
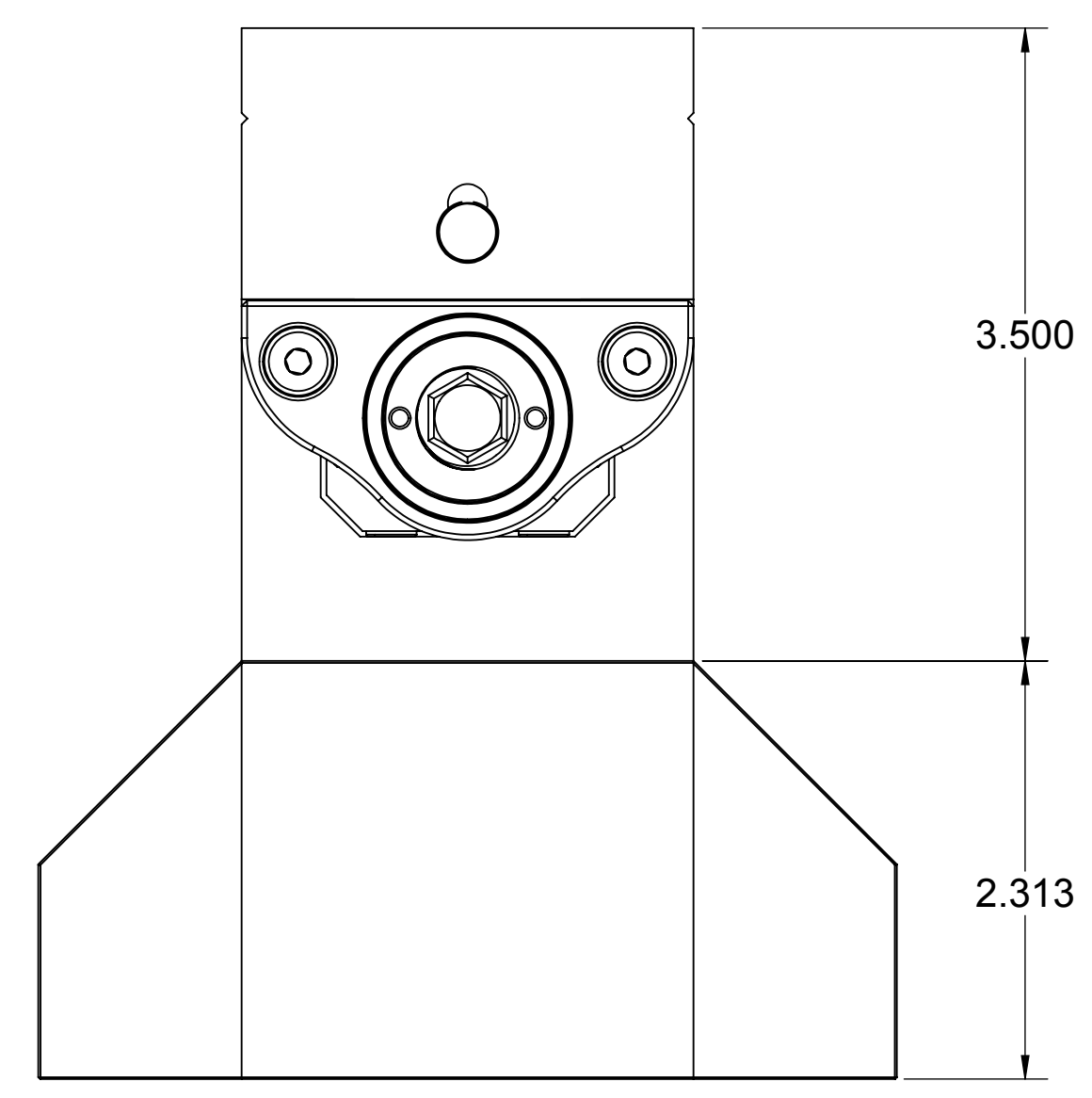
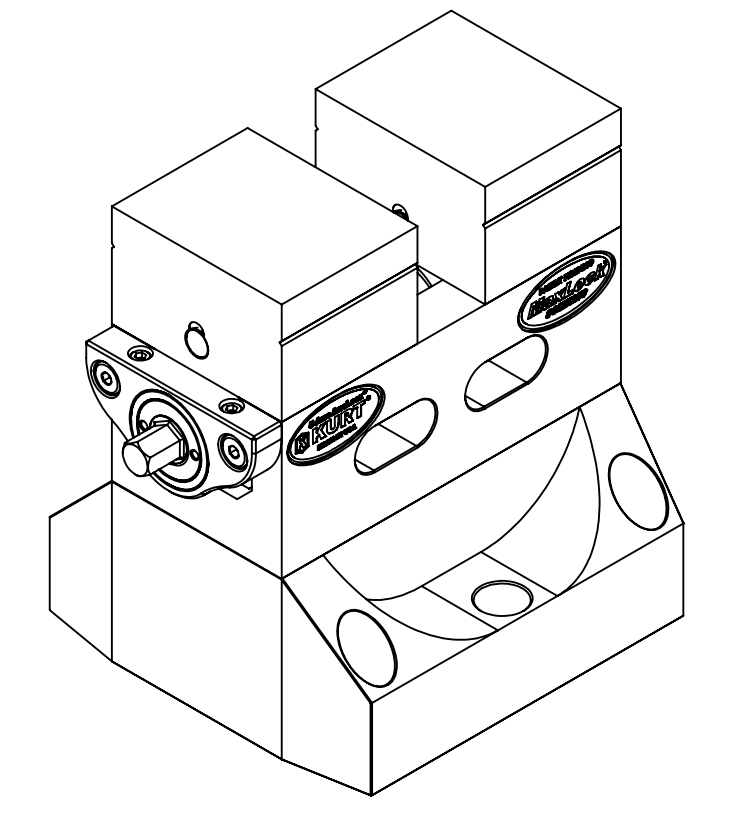
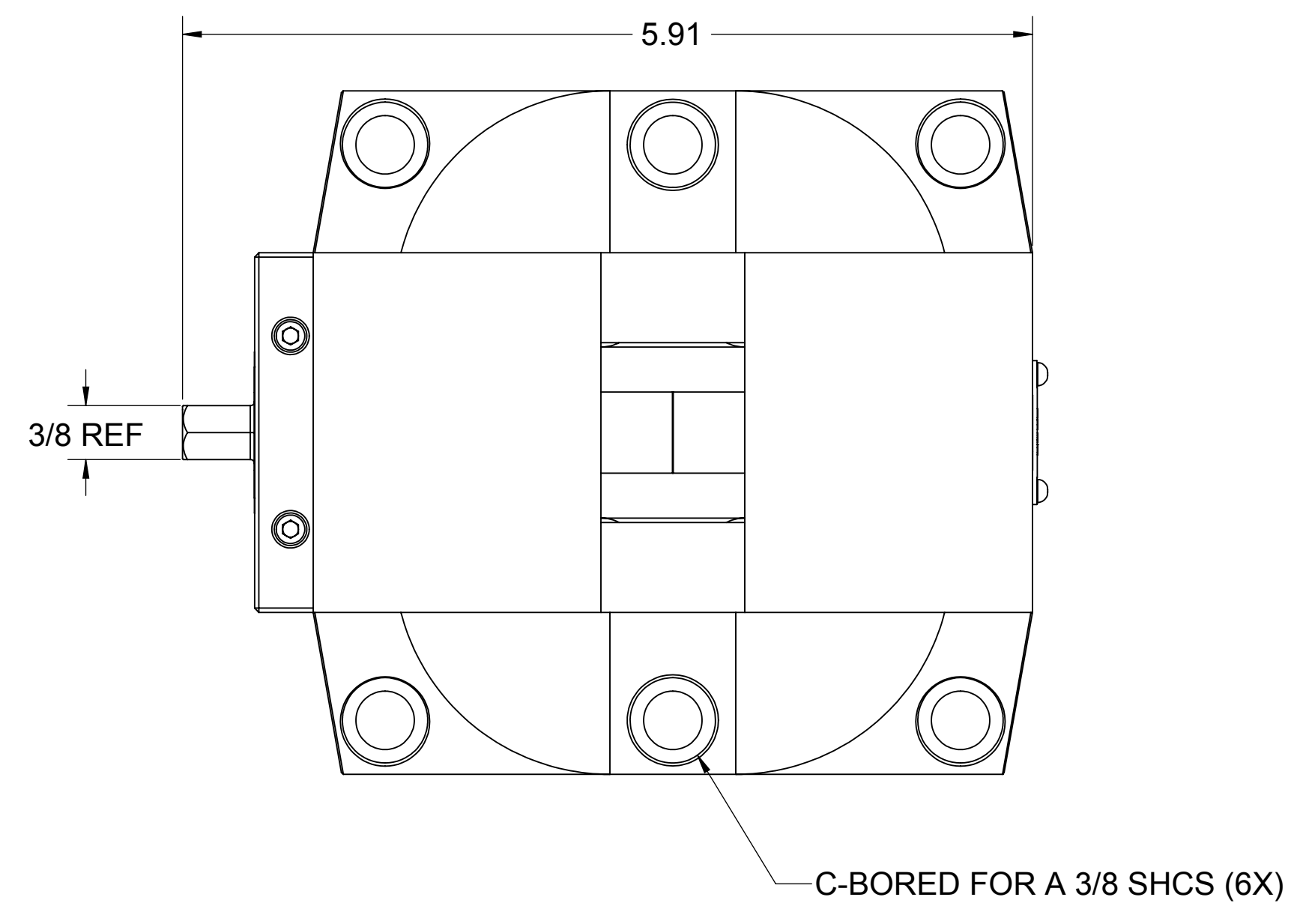


REV	ECO	DESCRIPTION	DATE	BY
A	V3865	RELEASED	4-26-12	DJS
B	V3910	SEE ECO	03-11-13	DLS
C	V3932	SEE ECO	8-6-13	BHR
D	V3933	SEE ECO	8-7-13	BHR
E	V3974	SEE ECO	05-20-14	DLS
F	V4074	SEE ECO	01-13-16	DLS
G	V4100	SEE ECO	6-24-16	DLS
J	V4139	SEE ECO	11-6-16	DLS



D:\Product Drawings-CAD\Visa\MaxLock\Visa\SCMX250 new centering device 7-26-16X

	W0-	TOOL NAME	SCMX250	MODEL OF TOOL	
	TOLERANCES UNLESS NOTED INCHES DECIMAL X ± .05 XXXX ± .0005 .XX ± .02 ANGLES ± 1°	TITLE	2.5" SELF CENTERING MAXLOCK		
DESIGNED	D. SCHMIDT	REVISION LEVEL	J		
DETAILED	D. SCHMIDT	CUSTOMER	SCMX250		
CHECKED		CUSTOMER PART NO.	SCMX250		
APPROVED		TOOL NO.		SCALE	1:1
		DESCRIPTION OR MATERIAL			SHEET 1 OF 1